

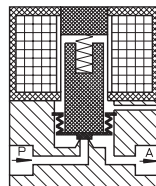
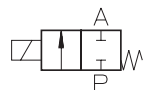
Type QE 222

2-way solenoid valve
direct actuated, NC
(normally closed), with
bellow separation



Application

Neutral and aggressive
liquids, gases and vapors, the
materials are inherently safe.



Type/ Order No.	Orifice [mm]	Port size	Pressure range [bar]		kv-value [m³/h]	Weight [kg]
			AC	DC		
QE 222-001	1,0	G 1/8	0 - 1	0 - 1	0,04	0,180
QE 222-002	2,0	G 1/8	0 - 1	0 - 1	0,11	0,180
QE 222-003	3,0	G 1/8	0 - 1	0 - 1	0,22	0,180
QE 222-004	4,0	G 1/8	0 - 1	0 - 1	0,35	0,180

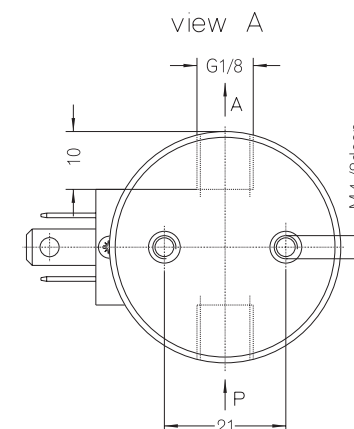
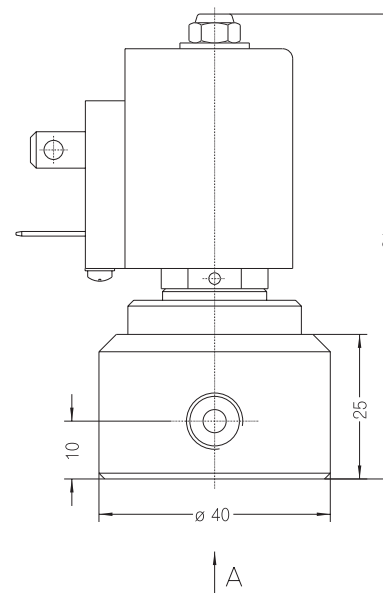
Sealing material: **Z** (FFPM)

Body material: PTFE
 Inner parts: PTFE
 Mounting direction: Free, preferred upwards
 Max. ambient temp.: 50 °C
 Viscosity of the medium: max. 21 mm²/s (3 °E)
 Static pressure: max. 1 bar
 Standard voltage: DC: 24, 12 V
 AC: 230 V, 115 V, 42 V,
 24 V, 12 V (50 or 60 Hz)

Power consumption: 11 VA / 8 W
 Voltage tolerance: -15%... +10%
 Duty cycle: 100 %
 Operating frequency: max. 300/min
 Degree of Protection: IP 54 (EN 60529)
 Internal circuit for AC: Y

Other configurations upon request

238



The right to modification is reserved

239



Dimensions in mm